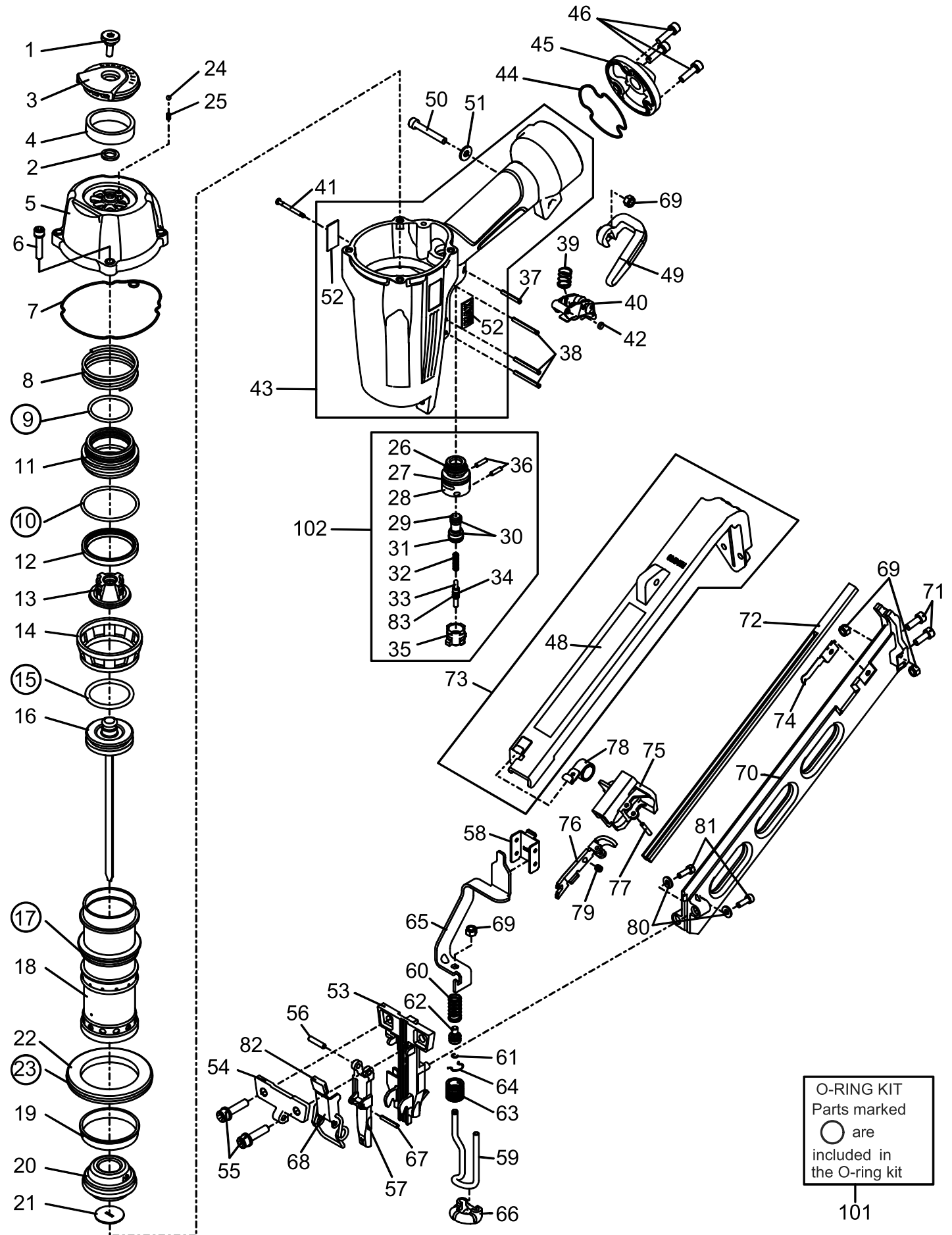


NF665A/15

**EXPLODED
VIEW AND SPARE PARTS LIST**

**SCHEMA ECLATE ET LISTE DES
PIECES DE RECHANGE**

**DESPIECE DE LA MAQUINA Y LISTA
DE RECAMBIOS**



O-RING KIT
Parts marked
○ are
included in
the O-ring kit
101